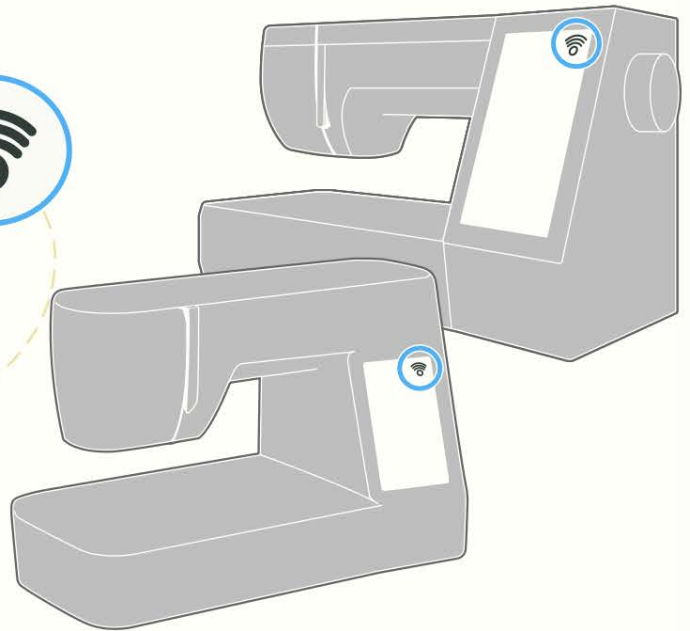


Let's get ready!



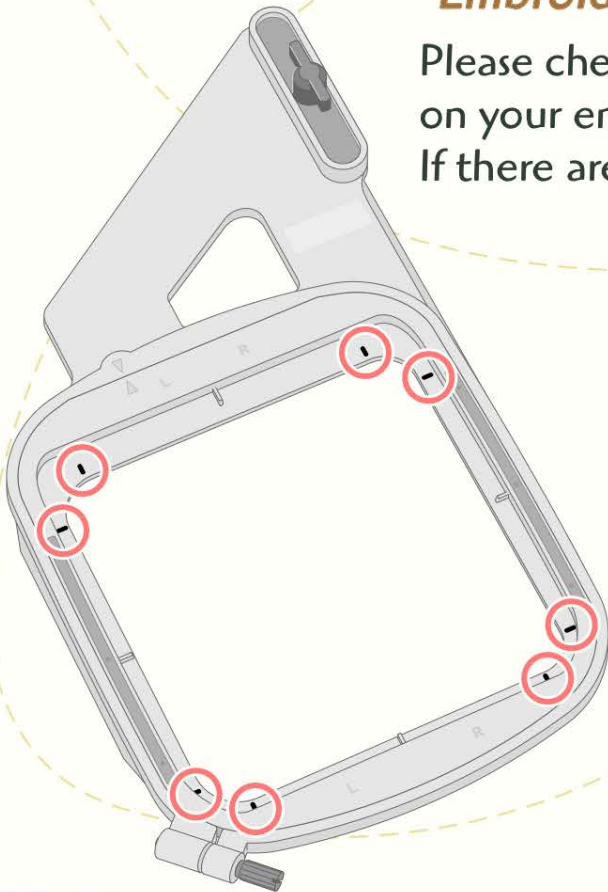
Sewing machine

Turn Wi-Fi on. Choose your embroidery design and register it on the Ready to Sew screen.



Embroidery hoop

Please check if there are 8 black marks on your embroidery hoop. If there are not, tap this button

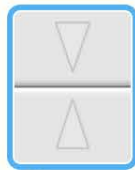
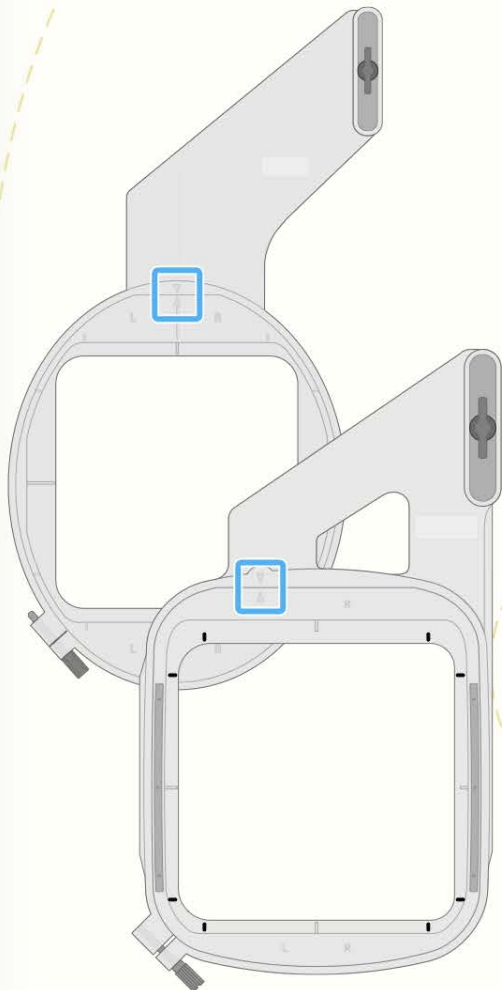
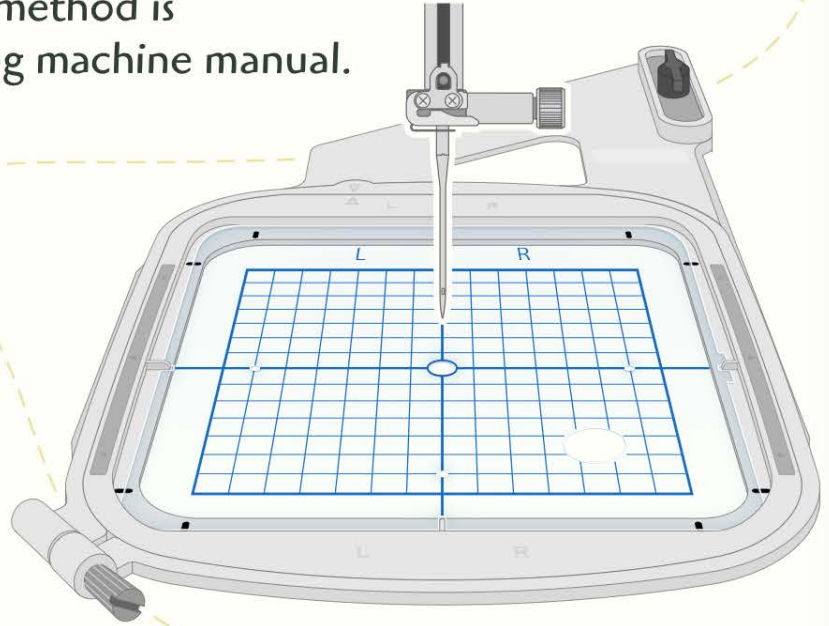


Let's check!



Is hoop calibration correct?

When the hoop is attached to the sewing machine, check to make sure the needle is in the center of the template. The hoop calibration method is described in the sewing machine manual.



Do the alignment marks match?

When attaching the fabric, match the alignment marks on the inner and outer parts of the hoop and set in place.



Photographing the hoop



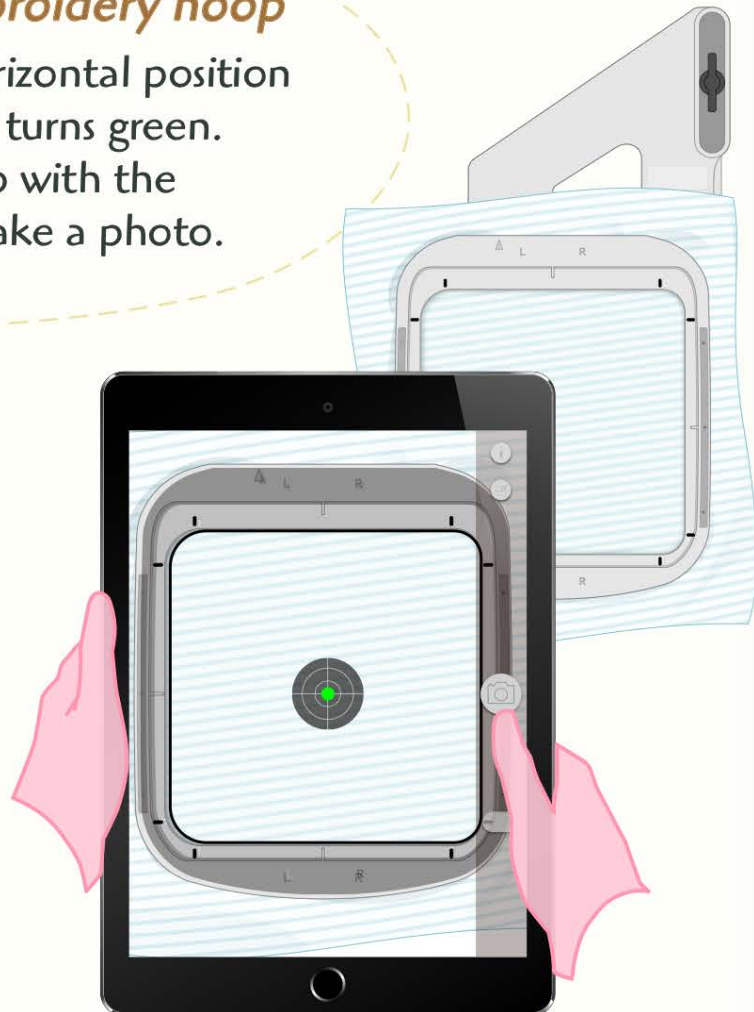
Receiving embroidery design data

Get the embroidery design data from the sewing machine.



Photographing the embroidery hoop

Maneuver the iPad into a horizontal position until the center of the target turns green. Match the image of the hoop with the embroidery hoop itself and take a photo.



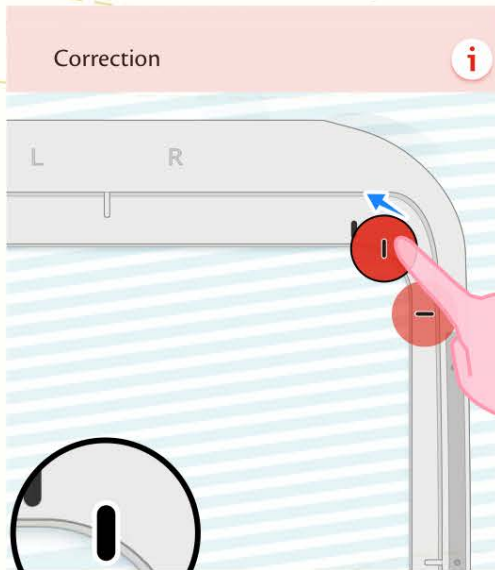


Setting the sewing area

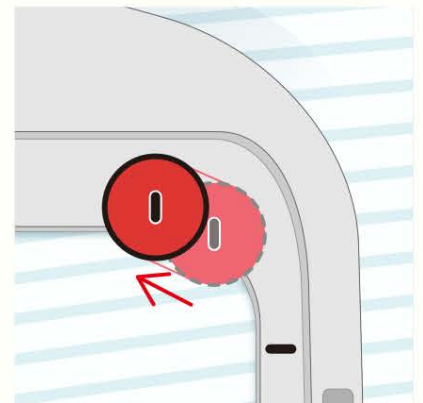
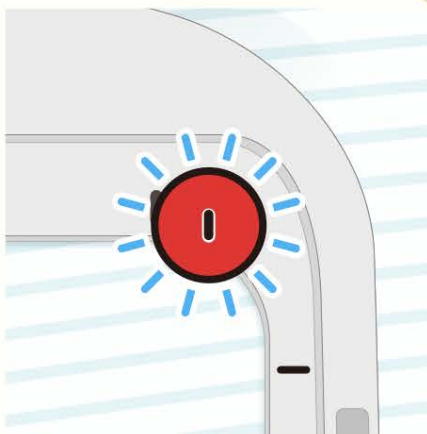


Match the embroidery hoop marks

Drag the mark buttons so that they match the marks on the embroidery hoop.
Use the magnifier in the middle of the screen to check positioning and match all 8 marks.



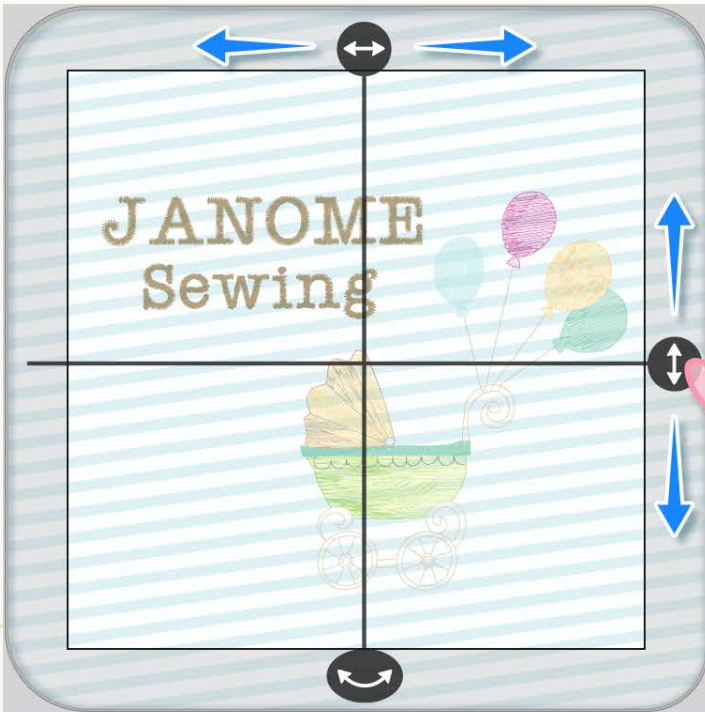
When the mark button is tapped while hovering over the embroidery hoop marks, the black marks will automatically match.



*If the mark buttons do not automatically match the hoop marks, please drag and set.

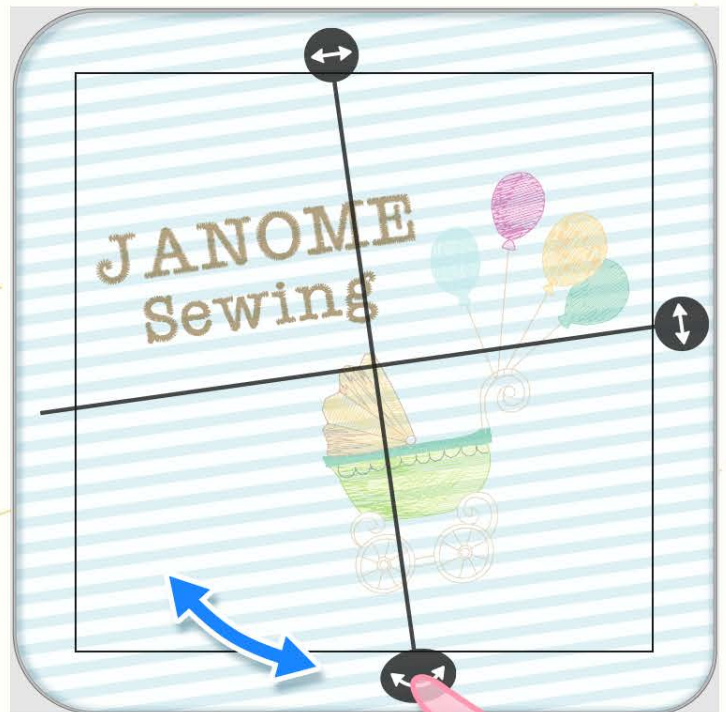


Adjusting position of design



Setting the center position

By dragging the sideways arrows or the up-down arrows, you can adjust the position of the center cross.



Setting the angle

You can tilt the center cross by dragging the rotate arrows left or right.

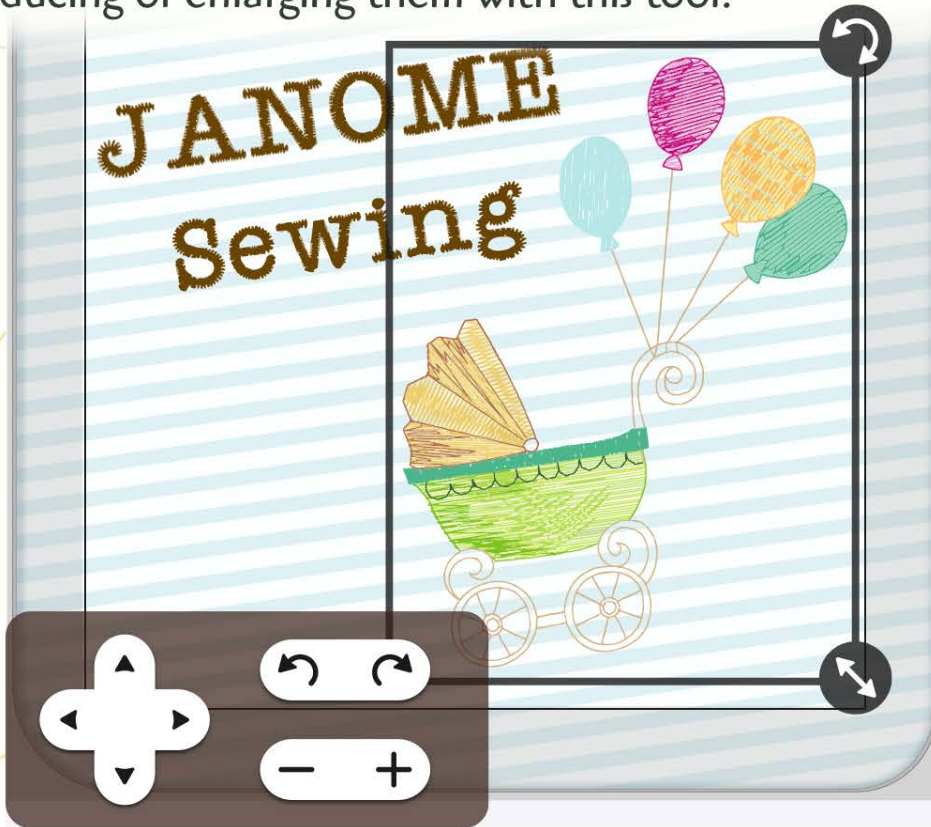


Design editing



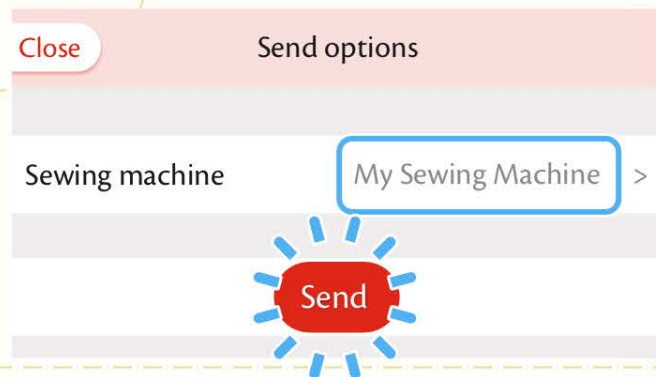
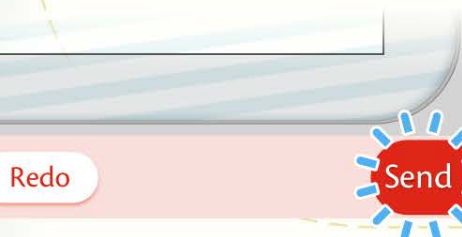
Design editing

By touching a design, an editing tool will be displayed. Fine-tune your designs by moving, rotating, reducing or enlarging them with this tool.



Sending embroidery design data

Send the embroidery design data back to the machine.



Let's get started!

